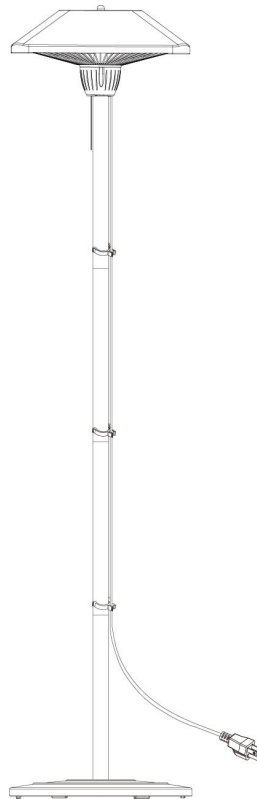


PATIO HEATERS



WARNING
FOR YOUR SAFETY:

For Outdoor Use Only

Free Standing

Art no. STP1566-D-S



Instructions

Technical information


Power Supply: 120V~ 60Hz

Wattage: 1500W

Element Type: Halogen

Life of Lamp: Approximate maximum 5000 hours

Ingress Protection Rating: IP44 

Insulation: Class I 

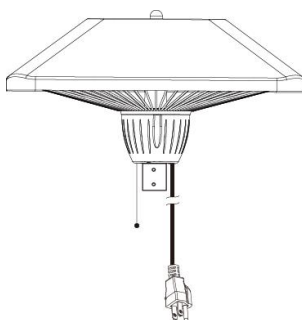
Dimensions: H 198 X Diam 44cm

Tools required (not included)



Parts list

1 (1x)



2 (1x)



3 (2x)



4 (1x)



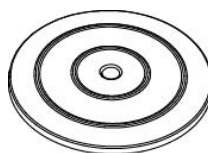
5 (2x)



7 (1x)



8 (1x)



9 (3x)



6 (3x)



10 (3x)



Prior to assembly: read the instructions carefully. Check all parts against the parts list.

This product **MUST NOT** be used if the power cable is damaged. If there is damage, it must be replaced by manufacturer, its service agent or similarly qualified persons in order to avoid a hazard.

For ease of assembly only loosely tighten bolts and then tighten fully when assembly is complete.

Two(2)adults may be required for assembly.

WARNING! - DO NOT over tighten bolts; only tighten with moderate pressure to avoid damaging the bolts or components of the heater.

Care and safe use guidelines

IMPORTANT! KEEP FOR FUTURE REFERENCE.

Thank you for choosing our indoor/outdoor Electric Heater. This manual will provide you with information necessary for the proper assembly, care and maintenance of your new product. Please take a few moments to thoroughly read the instructions and familiarise yourself with all the operational aspects of your new heater.

When using this electric unit, please follow the safety precautions detailed below. This should reduce the risk of fire, electric shock and injury to persons.

WARNING — CAUTION!

READ ALL INSTRUCTIONS BEFORE ATTEMPTING TO OPERATE THIS UNIT. KEEP THE ASSEMBLY INSTRUCTIONS FOR FUTURE REFERENCE. KEEP THE ORIGINAL PACKAGING FOR USE WHEN STORING THE HEATER DURING EXTENDED PERIODS OF NON-USE.

- This appliance is not intended for use by persons (including children) with reduced physical, sensory or mental capabilities, or lack of experience and knowledge, unless they have been given supervision or instruction concerning use of the appliance by a person responsible for their safety.
- Children aged from 3 years and less than 8 years shall only switch on/off the appliance provided that it has been placed or installed in its intended normal operating position and they have been given supervision or instruction concerning use of the appliance in a safe way and understand the hazards involved. Children aged from 3 years and less than 8 years shall not plug in, regulate and clean the appliance or perform user maintenance.
- This heater is not equipped with a device to control the room temperature. Do not use this heater in small rooms when they are occupied by persons not capable of leaving the room on their own, unless constant supervision is provided.
- Children of less than 3 years should be kept away unless continuously supervised.
- Children shall not play with the appliance
- Cleaning and user maintenance shall not be made by children without supervision
- Never fix or place heater near flammable or combustible materials.
- If the supply cord is damaged, it must be replaced by the manufacturer, its service agent or similarly qualified persons in order to avoid a hazard.
- The heater must not be located immediately below a socket outlet.
- The heater must be installed at least 1,8 m above the floor.
- Do not use this heater with a programmer, timer, separate remote-control system or any other device that switches the heater on automatically, since a fire risk exist if the heater is covered or positioned incorrectly.

Care and safe use guidelines

- This appliance can be used by children aged from 8 years and above and persons with reduced physical, sensory or mental capabilities or lack of experience and knowledge if they have been given supervision or instruction concerning use of the appliance in a safe way and understand the hazards involved.
- Unpack the heater making sure that all the items are present and that there are no components left in the box and that the heater head is free from any packing material.
- Using the detailed drawing and follow the steps to assemble your heater.
- Do not connect the heater to the electrical supply until all the assembly is complete.
- Do not connect the heater to the electrical supply if any of the components or the power cord is damaged in any way.
- If in doubt contact your supplier.
- **WARNING:** This heater is not equipped with a device to control the room temperature. Do not use this heater in small rooms when they are occupied by persons not capable of leaving the room on their own, unless constant supervision is provided.
- **CAUTION** - Some parts of this product can become very hot and cause burns. Particular attention has to be given where children and vulnerable people are present.
- Only use the heater on a firm solid horizontal area where all the feet on the base are in contact with the floor. (Should the heater be tilted or fall over the auto cut off switch will activate)
- Do not push any items through, obstruct or cover the grill of the heater.
- Site the heater outside or in a large open area and well away from any obstructions such as branches or where the heater is near any objects that can be effected by heat, such as furniture, curtains or other inflammable objects (minimum distance 1 meter).
- Do not move when connected to an electrical supply and always wait for the patio heater to cool down before storing away.
- Do not touch the heater when in use.
- The unit must be placed with the clearance of 250 mm to the wall.
- Don't wrap the power supply cord on the unit.
- The unit must be handled with care, and avoid vibration or hitting.
- The unit is for household use only. It is not safe to use on a building site, greenhouse, barn or stable where there's flammable dust.
- The head of the unit is at high temperature during operation. Unplug the unit and wait till it cools before cleaning.
- Don't use this unit in place where causticity or volatile air exists, i.e. dust, steam, gas, etc.
- Don't use this unit as a cloth drier or towel drier.
- Don't use this unit in place of animal propagating and raising.
- Don't immerse this unit into water for cleaning.
- The unit should be plugged in a socket, which is easily visible and reachable.

Care and safe use guidelines

- One dark point may exist on the surface of the heating elements during the first few minutes after it is turned on. This is normal, and will not affect the performance of the unit.

WARNING

- These appliances must be earthed.
- Before installing or replacing the bulb, the appliance must be always being disconnected from the 120V supply.

MAINTENANCE AND CLEANING

- Unplug the unit and let it cool completely.
- To keep the heater clean, the outer shell may be cleaned with a soft, damp cloth. You may use a mild detergent if necessary. After cleaning, dry the unit with a soft cloth.
- **DO NOT** use alcohol, gasoline, abrasive powders, furniture polish, or rough brushes to clean the heater. This may cause damage or deterioration to the surface of the heater.
- Although this heater is outdoor approved, **DO NOT** immerse the heater in water for your safety.
- Wait until the unit is completely dry before use.

STORAGE

If the heater will not be used for a long period of time, store it in a cool, dry location when not in use. To prevent dust and dirt build-up, use the original packaging to repack the unit.

TROUBLESHOOTING

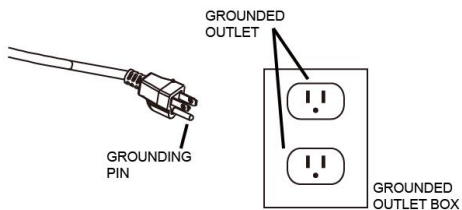
If the heater will not operate, please check the following before seeking repair of service:

- Check if the power cord is plugged into an electrical outlet, if not plug in.
- Check if electricity to the main fuse is working.
- Make certain the power switches are turned on. If not, choose a setting.

Care and safe use guidelines

GROUNDING

This product is for use on a nominal 120V circuit with a grounding plug that looks like the plug illustrated below. Make sure that the product is connected to an outlet having the same configuration as the plug. If you use an extension cord, make sure it also has a grounding plug. No adaptor should be used with this product.



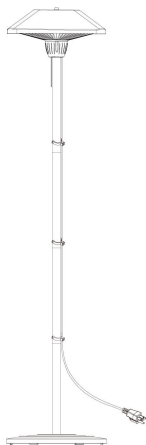
OPERATING THE UNIT

WARNING: The heater must be properly installed before it is used .

Plug the heater into a grounded 120V~ 60Hz power socket.

- A. Only operate the heater when it is in the upright position.
- B. The ON-OFF Pull switch on the heater is used to control the power of the heater.
- C. To operate the heater, pull the switch cord one time for 1500W, pull the switch cord again to turn the heater off.

Although the heater is shower proof, do not use it when it is raining or in wet conditions. Always disconnect the power cable from the electrical supply, when the heater is not in use.



Assembly diagram

